

BCI ATOMIZER

The BCI atomizer provides the widest range of options available for cold atomizing applications. The nozzle, attached to the 48" flex hose, allows the user to easily direct the flow in, under and at objects. The convenient flow adjustment knob located on the nozzle enables the operator to change the liquid flow rate being dispensed.

The flow rate can be adjusted to dispense materials at average droplet sizes under 20 microns up to 80 microns (water based chemicals at room temperature). The smaller sized droplets remain suspended in air for extended periods of time. However, larger droplets are dispersed by air flow and can settle on surfaces. This characteristic makes the BCI atomizer useful for applying Bio-Cide International's chlorine dioxide chemicals used in various applications.



FEATURES

- Roto-molded one piece, seamless, heavy-duty copolymer tank
- 3 1/2" wide tank opening for easy fill
- Provides a mist coating up to 20 ft
- 1 1/2 gallon tank capacity
- 2- stage fan motor
- Variable flow from ULV to light mist
- Adjustable flow from 0-18 oz/min
- Nozzle mounted on 48" hose
- Impact resistant
- Excellent air velocity for creating extremely small droplets and dispersing them effectively
- Flow rate can be adjusted to dispense droplet sizes under 20 microns up to 80 microns
- 110/60 hz motor and 220/240 v motors
- Easy to fill, empty and clean
- Low profile for maximum stability
- Made of corrosion resistant materials



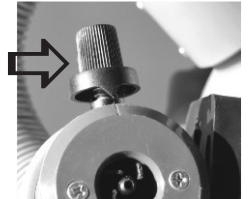
Exceptional Chemistry • Extraordinary People
www.bio-cide.com • 2650 Venture Drive, Norman, OK 73069
405.329.5556 • 405.329.2681 fax • 800.323.1398

Bio-Cide International is ISO 9001:2008 certified

INSTRUCTIONS

Calibrate the Adjustment Knob

- Turn the knob until closed
- Push down on base of knob and align the point with groove on the nozzle
- Release base to set the point
- Push down and turn the base, align with groove



- Adjustment knob open one-quarter to one-half-turn - this delivers a ULV mist.
- The spray cannot be seen because the droplets are very small.
- Adjustment knob open one full turn - this delivers a power mist which is visible from nozzle.



Filling

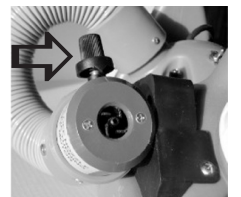
- Do not add more than 1.5 gallons (5.5 liters) liquid to the tank.
- Do not mix chemical in the tank; pre-mix and then add to the tank
- Mix all chemicals according to label directions.

Placement During Operation

- Never place atomizer directly on floor, always elevate to keep dust and moisture out of the atomizer.
- Do not operate atomizer in enclosed or small areas for more than 30 minutes.

When Finished

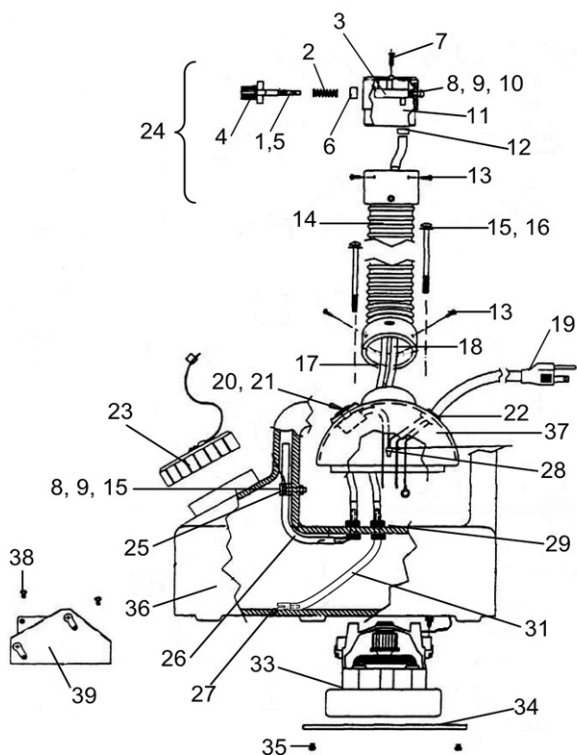
- Turn atomizer off, follow this sequence
 - 1) Turn off adjustment knob
 - 2) Turn off electric power
 - 3) Open the tank cap.



Turn off the adjustment knob before turning power off

Note: Failure to follow this sequence can result in liquid dripping into the hose and eventually reaching and destroying the motor.

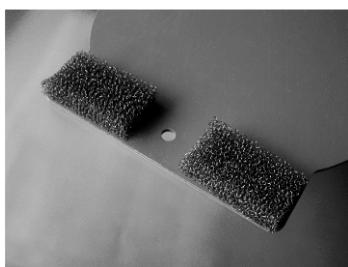
Replacement Parts List



#	Part #	Description	#	Part #	Description
1	2332	Clip	20	2340	220V Switch
2	2334	Spring	21	990	Switch Boot
3	2346	Venturi	22	2315	Strain Relief
4	2331	Knob Assembly	23	1103	Cap & O-Ring
5	2330	O-Ring	24	2384	Nozzle Assembly
6	2333	Sleeve	25	2358	Tube Retainer
7	2329	Screw	26	Ref	Item #17
8	2352	Screw	27	2312	Strainer
9	2357	Hex Nut	28	2316	Wire Connector
10	2359	Spacer	29	8156	Grommet
11	2353	Nozzle	31	Ref	Item #18
12	1433	Spring Clamp	33	2323	Motor 110v
13	2354	Screw	33	2324	Motor 220v
14	2385-48	Hose Assembly	34	2305	Motor Guard
15	8123	Spacer	35	2306	Screw
16	2308	Screw	36	2605	Tank
17	8182	Pressure Tube	37	2608	Housing
18	8184-48	Supply Tube	38	1145	Screw
19	2314	110v Cord	39	2355	Mount Plate
19	2341	220v Cord			
20	2311	Switch			

Care and Maintenance

- Always empty and flush the tank after each use; never leave chemicals in tank for extended periods
- Inspect spray hose and electric cord for wear or damage.
- Protect nozzle when not in use.
- Clean the filters on the bottom plate of the atomizer; be certain to replace (this protects the motor)



Clean filter regularly

Safety Precautions

- Connect unit to the designated electrical supply:
Do not connect 110v units to 220 v power
Do not connect 220v units to 110v power
- Do not move or position the atomizer by pulling it by the electrical cord.
- Always use a grounded (3 terminal) extension cord.

Trouble Shooting

Problem: Power mist is weak

Solution: • Tighten the cap

Problem: Liquid forms around the base of the motor housing, around the mounting screws

Solution: • Unit may have been operating too long and droplets in the air are forming on the metal screws

Problem: Atomizer is operating erratically; frequently turning on and off

Solution: • Inspect the electric cord and the plug for damage
• Motor may be damaged from moisture, replace motor

Problem: Atomizer becomes very warm (hot) during normal operation

Solution: • Remove the lower plate (motor guard) and clean the filters with a nylon brush